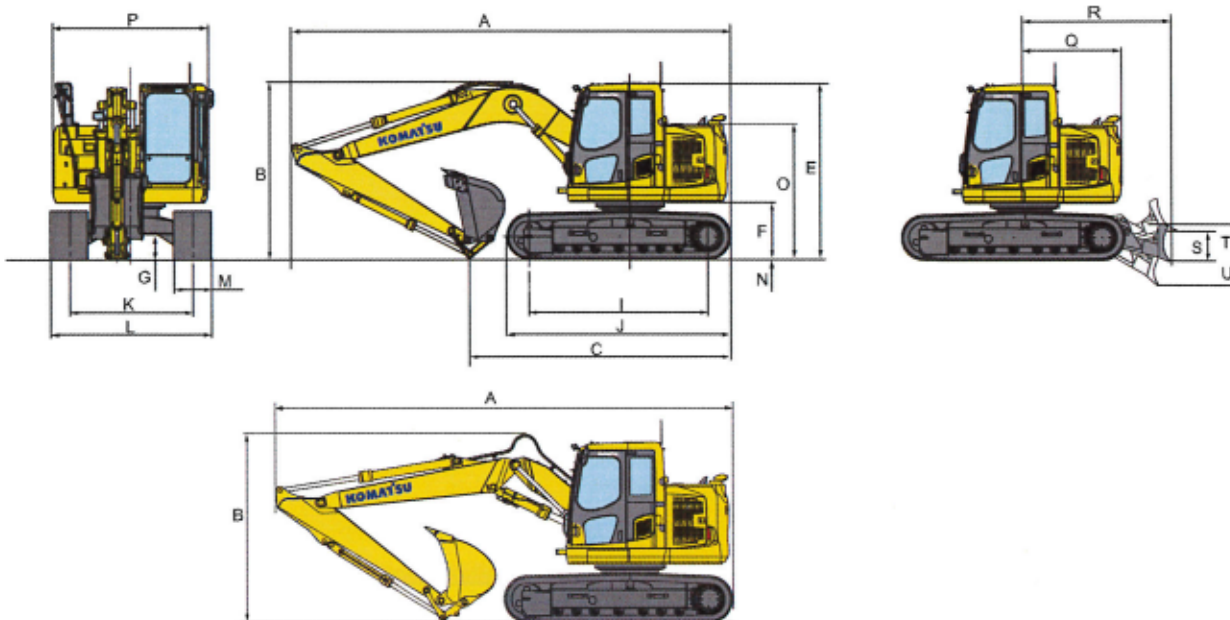


MACHINE DIMENSIONS

E	Overall height of cab	2.815 mm
F	Clearance under counterweight	900 mm
G	Ground clearance	395 mm
H	Tail swing radius	1.480 mm
I	Tumbler centre distance	2.880 mm
J	Track length	3.610 mm
K	Track gauge	1.990 mm
L	Overall track width with 500 mm shoes	2.490 mm
	Overall track width with 600 mm shoes	2.590 mm
	Overall track width with 700 mm shoes	2.690 mm
M	Shoe width	500, 600, 700 mm
N	Grouser height	20 mm
O	Machine tail height	2.140 mm
P	Overall width of upper structure	2.490 mm
Q	Distance, swing center to rear end	1.480 mm
R	Distance, swing center to blade	2.500 mm
S	Blade, max. lifting height	470 mm
T	Height of blade	590 mm
U	Blade, max. digging depth	525 mm
	Blade width (with 500 mm shoes)	2.490 mm
	Blade width (with 600 mm shoes)	2.590 mm



TRANSPORT DIMENSIONS

	MONO BOOM			TWO-PIECE BOOM		
	2,1 m	2,5 m	3,0 m	2,1 m	2,5 m	
A	Transport length	7.290 mm	7.275 mm	7.160 mm	8.110 mm	8.100 mm
B	Overall height (to top of boom)	2.820 mm	2.950 mm	3.210 mm	-	-
B	Overall height (to top of hose)	-	-	-	2.920 mm	3.050 mm
C	Length on ground (transport)	4.600 mm	4.400 mm	4.290 mm	4.970 mm	4.730 mm